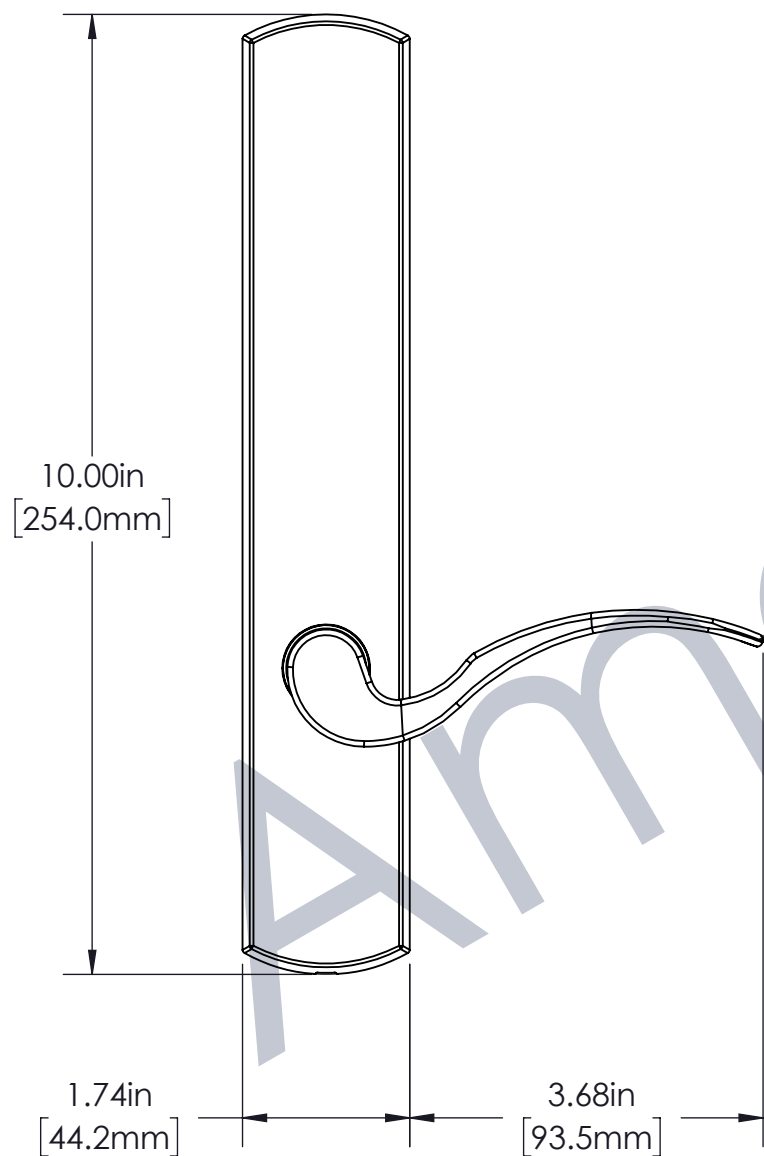


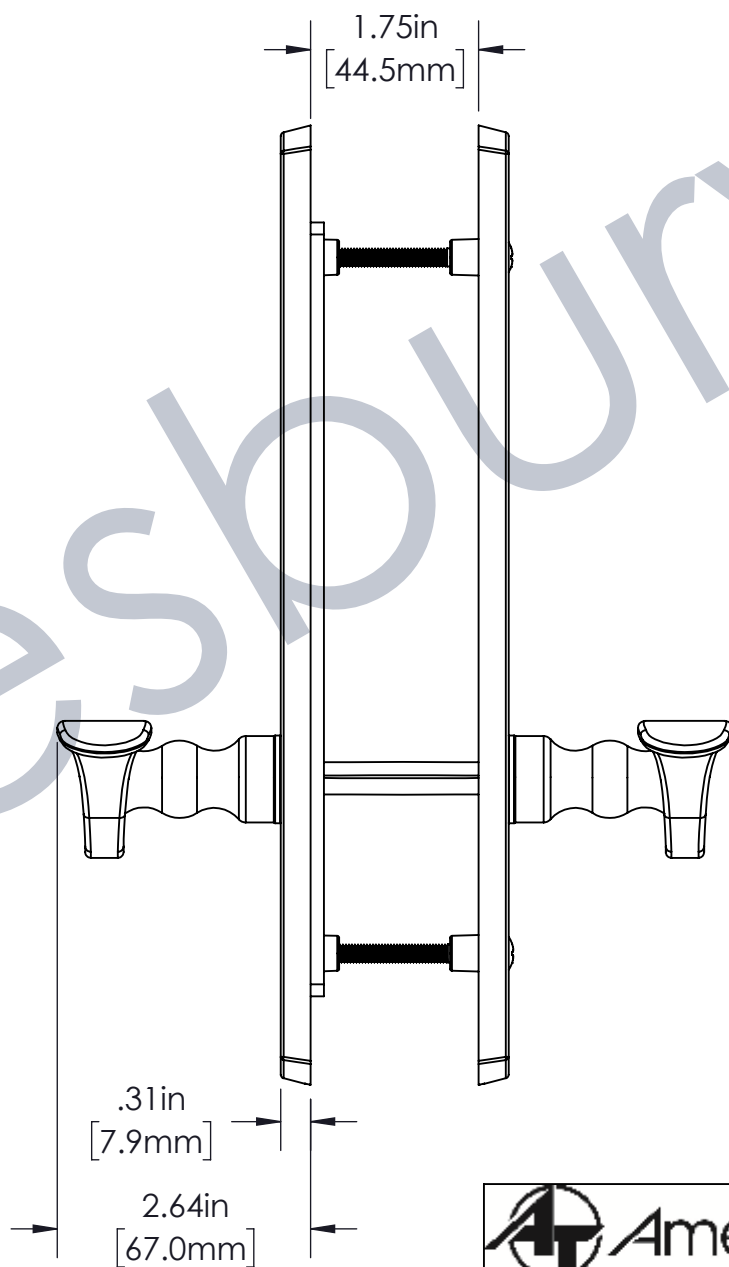
1.66in  
[42.1mm]



10.00in  
[254.0mm]

1.74in  
[44.2mm]

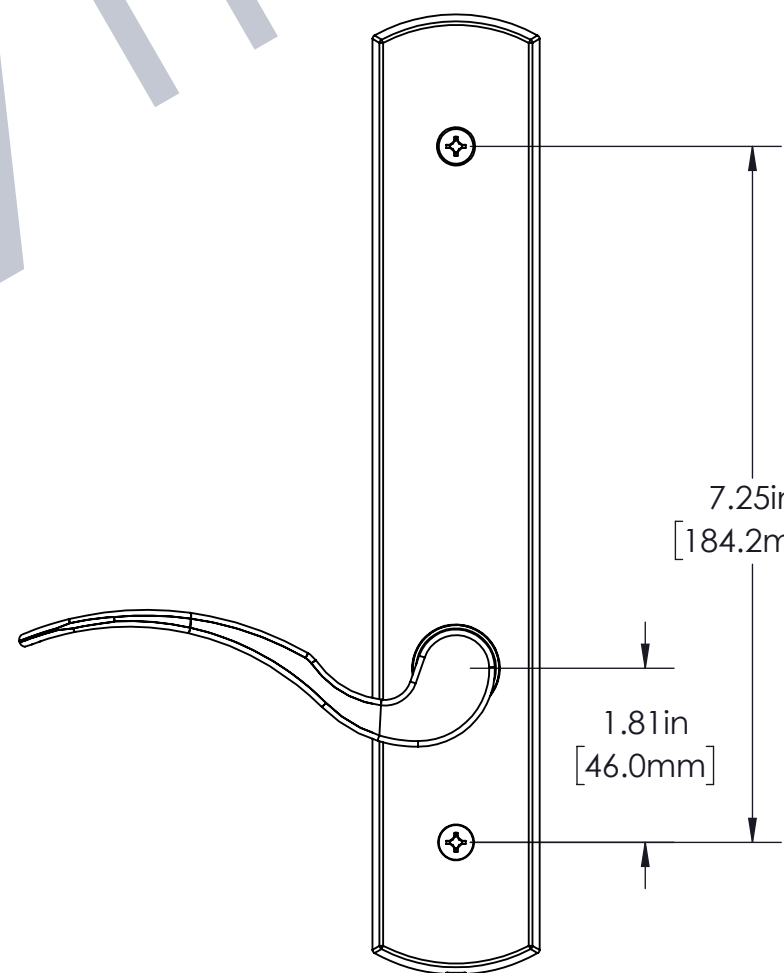
3.68in  
[93.5mm]



1.75in  
[44.5mm]

.31in  
[7.9mm]

2.64in  
[67.0mm]



7.25in  
[184.2mm]

1.81in  
[46.0mm]

CUSTOMER PAGE

**Amesbury Truth**  
Engineered Solutions. Trusted Results.

THE INFORMATION CONTAINED IN THIS DRAWING IS CONFIDENTIAL AND PROPRIETARY. THIS DRAWING IS NOT TO BE COPIED OR REPRODUCED IN WHOLE OR IN PART WITHOUT EXPRESS WRITTEN PERMISSION.

INTERPRET PER:  
ASME Y14.5M-2009  
UNITS: INCH

THIRD ANGLE  
PROJECTION

DRAWING TITLE:  
TRUE ELEGANCE PASSIVE HANDLE SET

SCALE: 1:2

DRAWING #: **W5206T-P**

SHEET 1 OF 1